

Water treatment

Challenge: **Maintaining clarifier drive reliability is challenging** due to varying loads and operating temperature swings that can cause the oil to thin out in the afternoon or thicken overnight. Operators also must manage safe access and environmental risks associated with working on and around water.

Solution: **Upgrade your clarifier drives to Mobil SHC™ synthetic lubricants** to maximize your productivity with lower friction and better wear protection across all operating temperatures, and up to six times longer oil change intervals.

Compared to conventional lubricants, Mobil SHC lubricants provide:



Safety

- Reduced maintenance personnel exposure



Environmental Care

- Reduced used oil disposal
- Reduced oil handling near water
- Potential CO₂ emissions reduction with lower power consumption



Productivity

- Fewer breakdowns and repairs
- Fewer oil changes
- Reduced energy costs

Industries

- Municipal and industrial wastewater treatment
- Mining – water treatment and materials separation
- Pulp and paper – water treatment

Key applications

- Clarifier gear drive
~55 gallons (209 liters) per drive

Products

- Mobil SHC™ 600 Series oils
- Mobil SHC™ Gear Series oils



*Visit mobil.com/shc to learn how certain Mobil-branded lubricants may provide benefits to help minimize environmental impact. Actual benefits will depend upon product selected, operating conditions and applications.

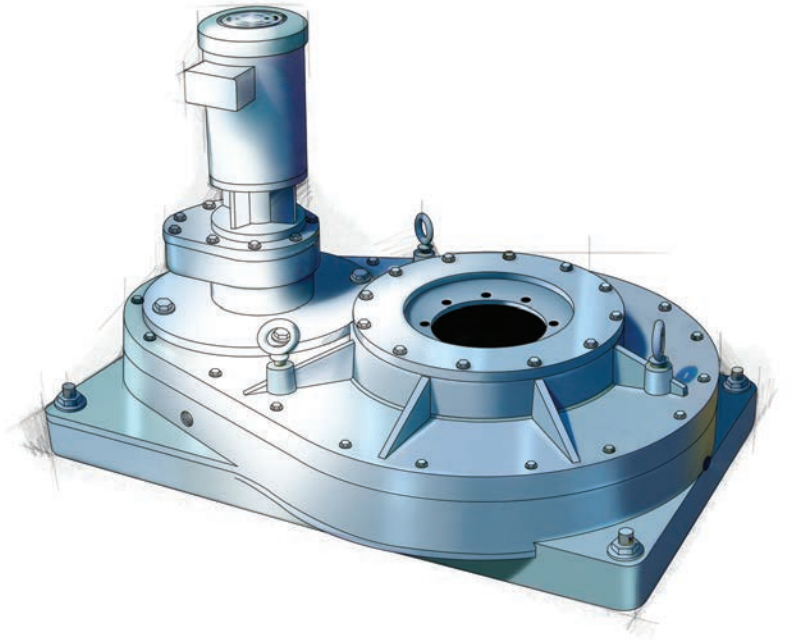
Water treatment

Key equipment builder approvals

Mobil SHC™ lubricants are endorsed by leading clarifier drive builders, including:

- Amwell
- Sumitomo Machinery Corporation of America
- FLSmidth & Co. (Dorr-Oliver Eimco)

Visit mobil.com/industrial to search by equipment builder name for specific recommendations.



The energy efficiency design is a trademark of Exxon Mobil Corporation. Energy efficiency relates solely to the fluid performance when compared to conventional (mineral) reference oils of the same viscosity grade in circulating and gear applications. The technology used allows up to 3.6 percent efficiency compared to the reference when tested in a worm gearbox under controlled conditions. Efficiency improvements will vary based on operating conditions and application.

Note: Productivity Pointers are provided for the use of ExxonMobil and our authorized distributors. Schematics and product series recommendations are intended as a general guide. Please visit mobil.com/industrial for specific builder recommendations.

© 2017 ExxonMobil. All trademarks used herein are trademarks or registered trademarks of Exxon Mobil Corporation or one of its subsidiaries.

mobil.com/shc